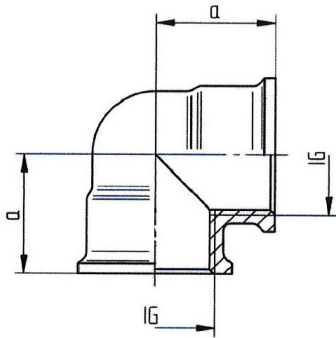


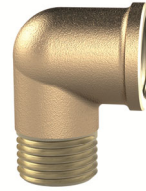
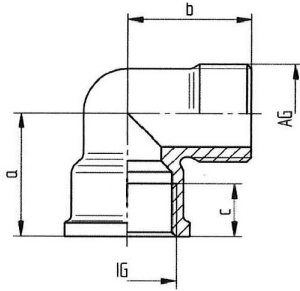
Operating temperature: max. 120 °C
Operating pressure: max. 16 bar



WST34MS90II

90° elbow, female/female

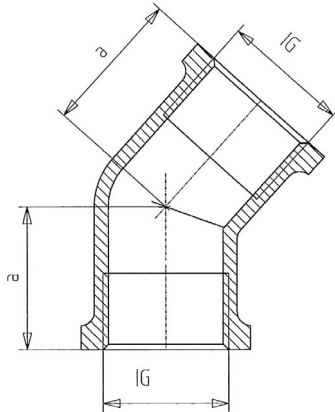
Art. No.	Type No.	Thread	a mm
194100	WST14MS90II	G 1/4	19.0
194101	WST38MS90II	G 3/8	24.0
194102	WST12MS90II	G 1/2	25.0
194103	WST34MS90II	G 3/4	29.0
194104	WST10MS90II	G 1	34.5
194105	WST114MS90II	G 1 1/4	47.0
194106	WST112MS90II	G 1 1/2	50.0
194107	WST20MS90II	G 2	58.5



WST34MS90IA

90° elbow, female/male

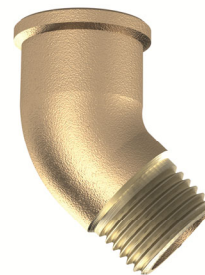
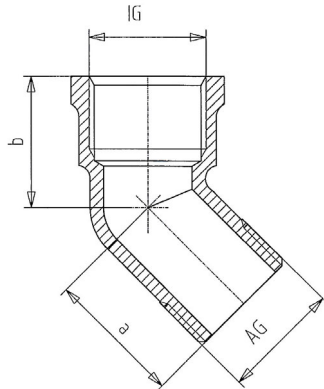
Art. No.	Type No.	Thread	a mm	b mm	c mm
194108	WST14MS90IA	G 1/4	24.5	27.5	10.5
194109	WST38MS90IA	G 3/8	22.0	35.5	11.0
194110	WST12MS90IA	G 1/2	23.0	32.0	13.0
194111	WST34MS90IA	G 3/4	26.0	41.0	12.0
194112	WST10MS90IA	G 1	30.0	49.5	15.0
194113	WST114MS90IA	G 1 1/4	38.0	53.5	17.0
194114	WST112MS90IA	G 1 1/2	41.0	57.0	18.0
194115	WST20MS90IA	G 2	54.0	65.0	24.0



WST34MS45II

45° elbow, female/female

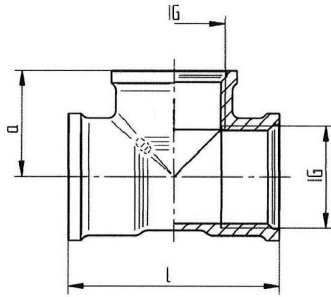
Art. No.	Type No.	Thread	a mm
194116	WST12MS45II	G 1/2 x G 1/2	23.5
194117	WST34MS45II	G 3/4 x G 3/4	24.0
194118	WST10MS45II	G 1 x G 1	30.5



WST34MS45IA

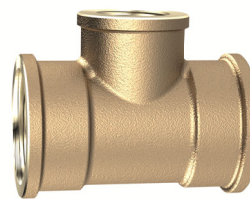
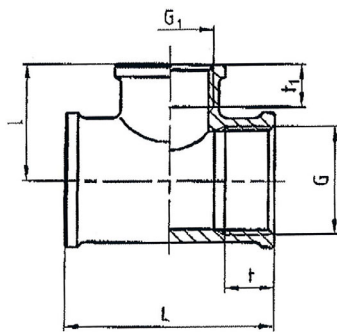
45° elbow, female/male

Art. No.	Type No.	Thread	a mm	b mm
194119	WST12MS45IA	G 1/2 x G 1/2	28.0	23.0
194120	WST34MS45IA	G 3/4 x G 3/4	28.0	23.0
194121	WST10MS45IA	G 1 x G 1	34.5	30.5



Tee, 3 x female thread

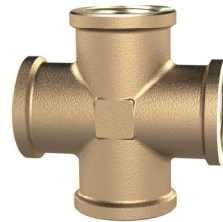
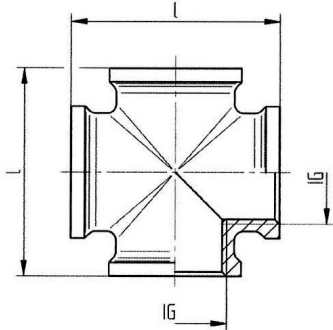
Art. No.	Type No.	Thread	l mm	a mm
194122	TST14MSIG	G 1/4	40.0	20.0
194123	TST38MSIG	G 3/8	48.0	24.0
194124	TST12MSIG	G 1/2	53.0	27.0
194125	TST34MSIG	G 3/4	60.0	30.0
194126	TST10MSIG	G 1	66.5	33.0
194127	TST114MSIG	G 1 1/4	90.0	45.0
194128	TST112MSIG	G 1 1/2	93.0	46.5
194129	TST20MSIG	G 2	101.0	50.5



TRED101210MSIG

Unequal tee, 3 x female thread

Art. No.	Type No.	Thread G	Thread G ₁	t mm	t ₁ mm	l mm	L mm
194130	TRED341234MSIG	G 3/4	G 1/2	12.0	10.5	28.5	51.0
194131	TRED101210MSIG	G 1	G 1/2	12.5	10.5	33.0	66.6
194132	TRED103410MSIG	G 1	G 3/4	12.5	12.0	33.0	66.6



KST34MSIG

Cross, 4 x female thread

Art. No.	Type No.	Thread female	l mm
194133	KST12MSIG	G 1/2	52.0
194134	KST34MSIG	G 3/4	61.0